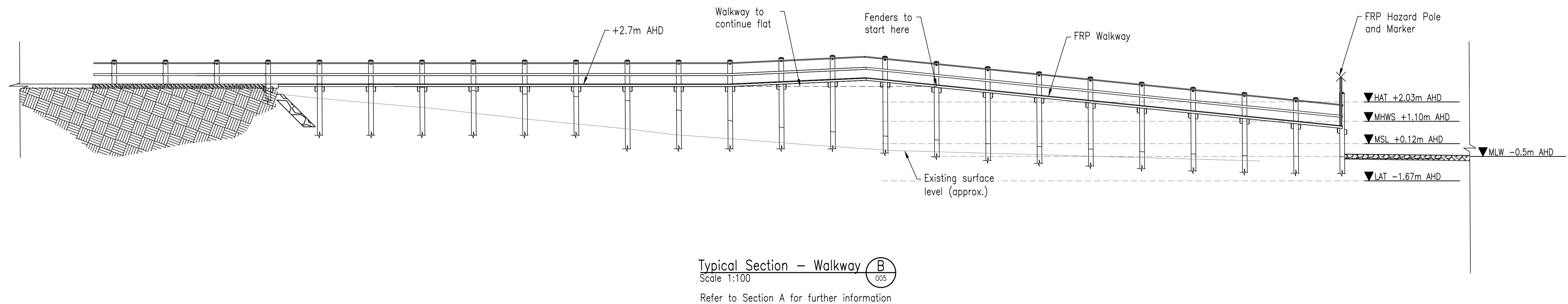
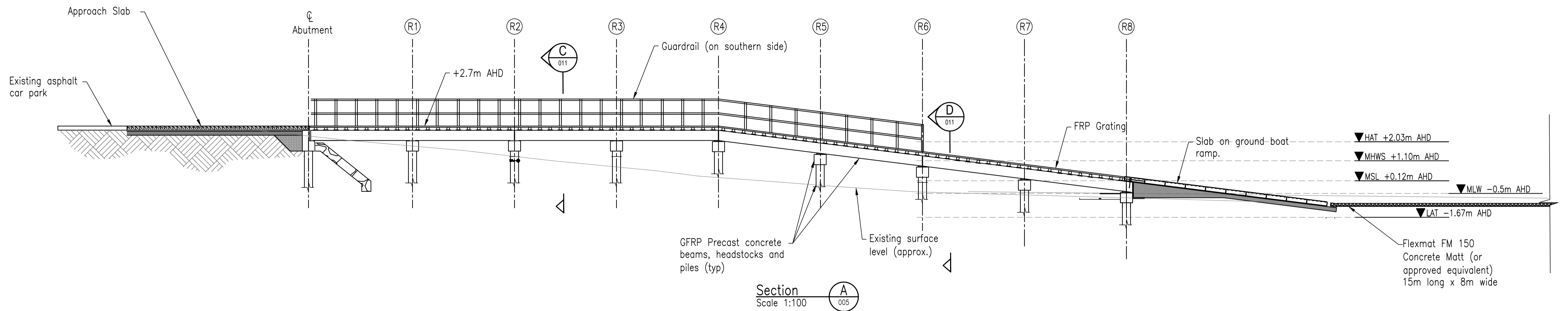


General Arrangement
Scale 1:125

Setout Table		
Point ID	Easting	Northings
1	405592.345	8034398.538
2	405595.302	8034402.301
3	405597.774	8034405.446
4	405599.141	8034407.185
5	405647.109	8034369.484
6	405645.750	8034367.755
7	405655.978	8034359.716
8	405650.576	8034352.856

7				Associated Job Nos	Survey Data	<p>Scales</p> <p>1:125 0 1 2 3 4 5m</p> <p>Dimensions shown in mm except where shown otherwise</p>	<p>KURRIMINE BEACH</p> <p>BRAMBLE STREET BOAT RAMP</p> <p>BOAT RAMP JS31 RECONSTRUCTION AND FIXED WALKWAY CONSTRUCTION 2025</p>	Drawn	TG	<p>PROPOSED BOAT RAMP AND FIXED WALKWAY GENERAL ARRANGEMENT</p> <p>ENGINEERING CERTIFICATION (RPEQ)</p> <p>ENGINEERING AREA: CIVILSTRUCTURAL</p> <p>SIGNATORY: Andrew Turnbull-Miller</p> <p>NUMBER: 15230</p>	<p>Queensland Government</p> <p>File No. 215/01563</p> <p>Contract No. CN-23972</p> <p>Drawing No. KB-2-1-# ?</p> <p>Project No. 2817993</p> <p>MRM_Detail (06/22)</p>
6				Datum	GDA2020			Checked	ATM		
5				Horiz. Grid	MGA Z55			Designed	SE		
4				Height Origin	AHD			Design Review	-		
3	Revised Detail Design	ATM	21/02/25	Survey Books							
2	Setting out added	ATM	28/11/24								
1	Detailed Design	ATM	05/11/24								
	Revisions/Descriptions	Cert	Date								



Refer to Section A for further information

7			
6			
5			
4			
3	Revised Detail Design	ATM	21/02/25
2	Setting out added	ATM	28/11/24
1	Detailed Design	ATM	05/11/25
	Revisions/Descriptions	Cert	Date

Associated Job Nos	Survey Data
	Datum: GDA2020
	Horiz. Grid: MGA Z55
	Height Origin: AHD
	Survey Books

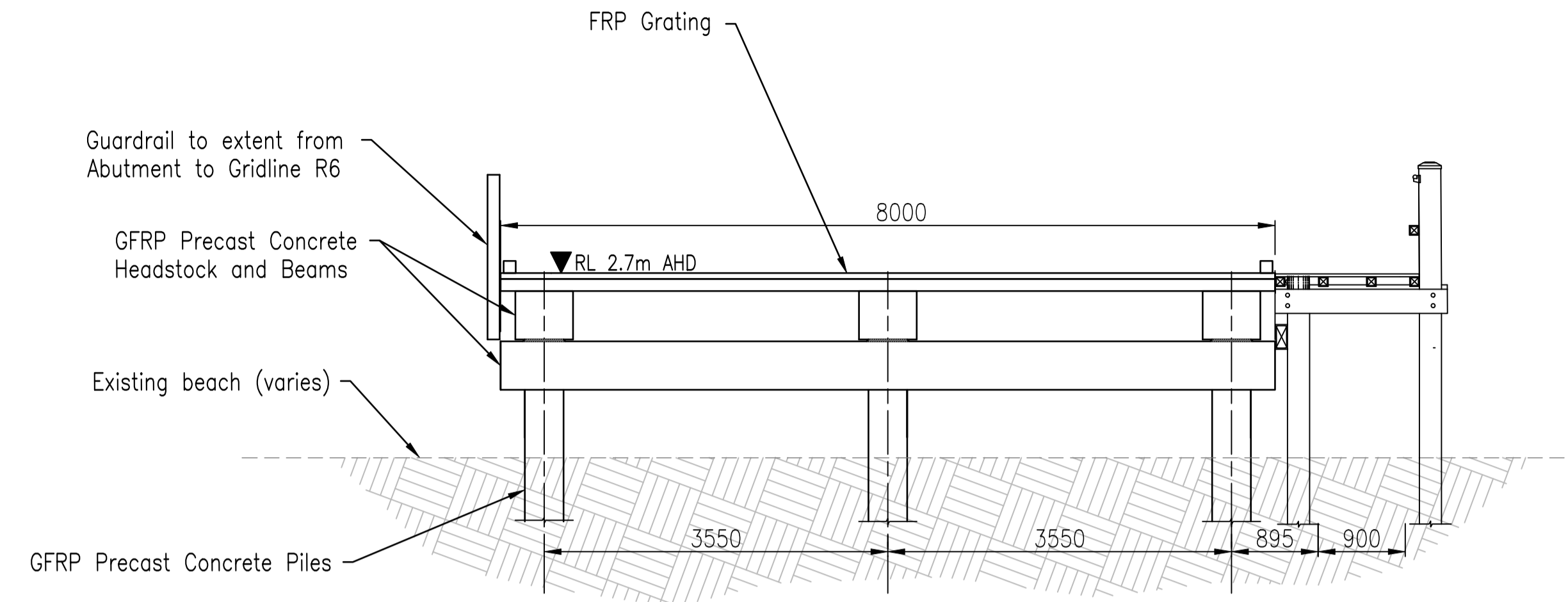
Scales	
1:100	0 1 2 3 4m
Dimensions shown in mm except where shown otherwise	

KURRIMINE BEACH
BRAMBLE STREET BOAT RAMP
BOAT RAMP JS31 RECONSTRUCTION AND FIXED WALKWAY CONSTRUCTION 2025

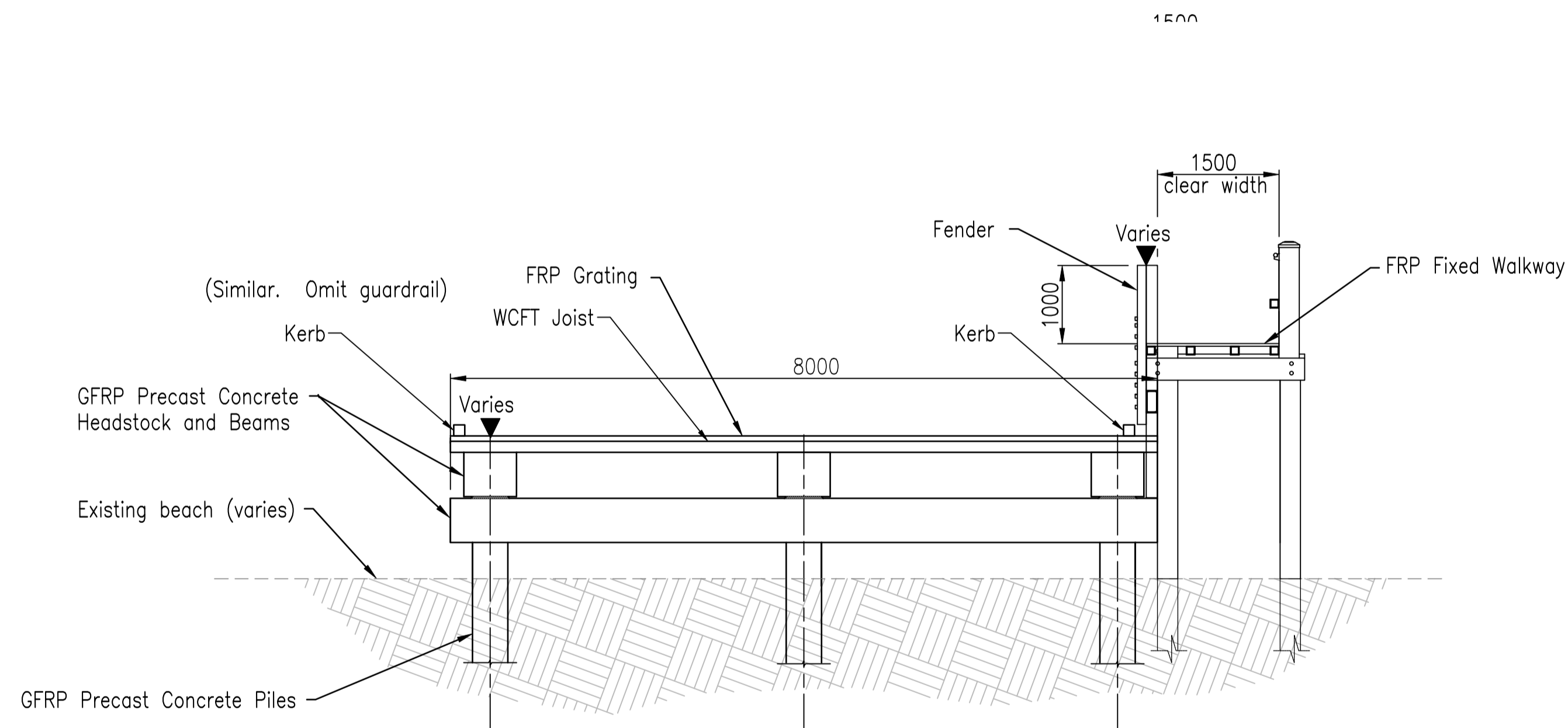
Drawn	TG
Checked	ATM
Designed	SE
Design Review	-

PROPOSED BOAT RAMP AND FIXED WALKWAY TYPICAL CROSS SECTION SHEET 1		
ENGINEERING CERTIFICATION (RPEQ)		
ENGINEERING AREA	SIGNATORY	NUMBER
CIVILSTRUCTURAL	Andrew Turnbull-Miller <i>Andrew Miller</i>	15230

File No.	215/01563
Contract No.	CN-23972
Drawing No.	KB-2-1-# ?
Project No.	2817993
MRM_Detail (06/22)	



Section **C** Typical Approach Structure & Fixed Walkway
Scale 1:50



Section **D** Typical Boat Ramp and Fixed Walkway
Scale 1:50

7				Associated Job Nos	Survey Data	<p>Scales</p> <p>1:50 0 1.0 2.0m</p> <p>Dimensions shown in mm except where shown otherwise</p>	<p>KURRIMINE BEACH</p> <p>BRAMBLE STREET BOAT RAMP</p> <p>BOAT RAMP JS31 RECONSTRUCTION AND FIXED WALKWAY CONSTRUCTION 2025</p>	Drawn	TG	<p>PROPOSED BOAT RAMP AND FIXED WALKWAY</p> <p>TYPICAL CROSS SECTION</p> <p>SHEET 2</p>	<p>Queensland Government</p>				
6			Datum	GDA2020	Checked			ATM	<p>ENGINEERING CERTIFICATION (RPEQ)</p> <p>ENGINEERING AREA</p> <p>CIVILSTRUCTURAL</p>			<p>SIGNATORY</p> <p>Andru Sm</p>	<p>NUMBER</p> <p>15230</p>	File No.	215/01563
5			Horiz. Grid	MGA Z55	Designed			SE						Contract No.	CN-23972
4			Height Origin	AHD	Design Review			-						Drawing No.	KB-2-1-# ?
3	Revised Detail Design	ATM	21/02/25	Survey Books				Project No.	2817993						
2	Setting out added	ATM	28/11/24					MRM_Detail (06/22)							
1	Detailed Design	ATM	05/11/24												
	Revisions/Descriptions	Cert	Date												